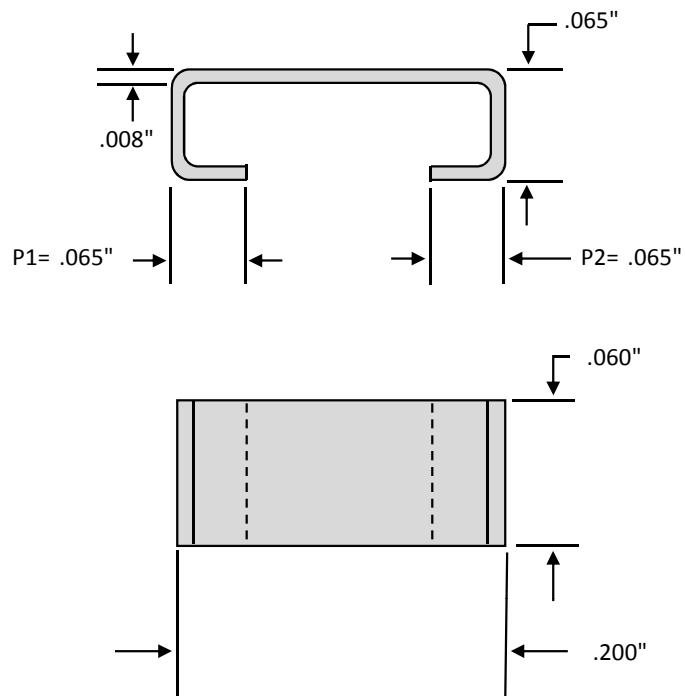
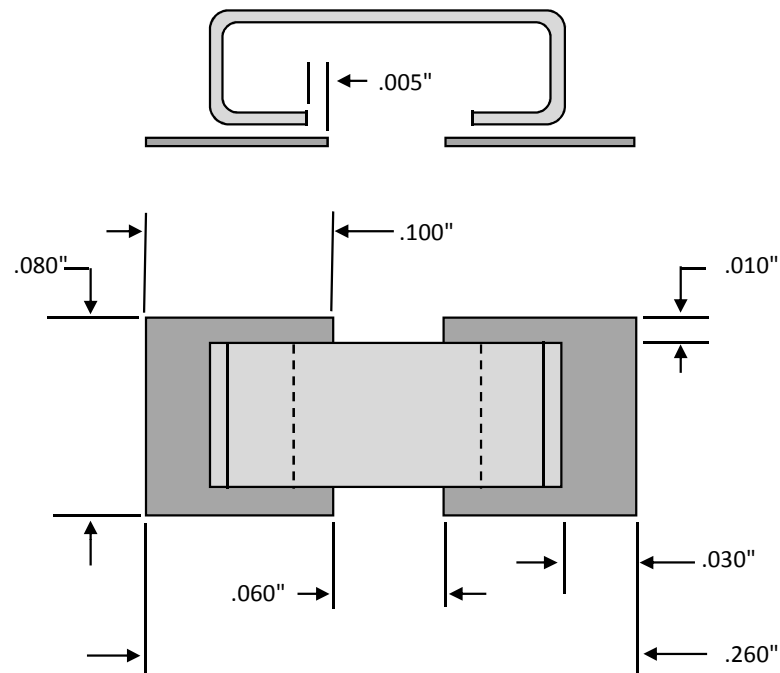




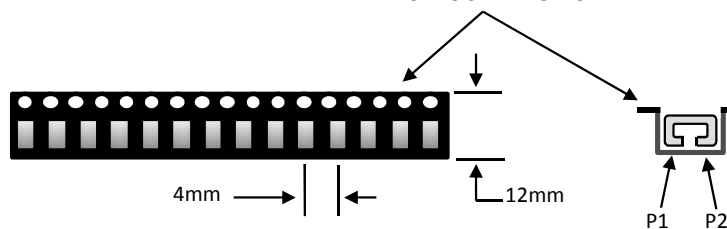
PHYSICAL DIMENSIONS



RECOMMENDED FOOTPRINT



SPROCKET HOLES



Revision Record			
Rev Level	Revision	Date	Approved By
A	Removed From DWG# VED001 / Added Footprint	8.24.07	WHK
B	Added AMP Rating	7.14.08	WHK
C	Added Part in Tape / Identified P1 and P2 / Added Rev Record / Changed Drawing Format / Added RoHS Sticker	03.18.09	WHK



Title: Surface Mount Jumper	Material: Copper	Dimensions: Inches	Carrier Dim: 12 x 4mm	Vestal Electronic Devices, LLC 635 Dickson Street Endicott, NY 13760 vedsales@vestalelectronics.com
P/N: SMTJ-2006	Plating: 100% Tin	Tolerance: ± .005"	Std Reel Size: 7"	
Drawing #: VED019	DWG: 1 of 1	Finish: Matte	Wire Spec: ASTM-B33	
Rev: C	Rev Date: 03.18.09	Current Rating: 5 amp (min)	Taping Spec: EIA-481	
			Qty / 7" Reel: 2,000	
			Qty / 13" Reel: 9,000	